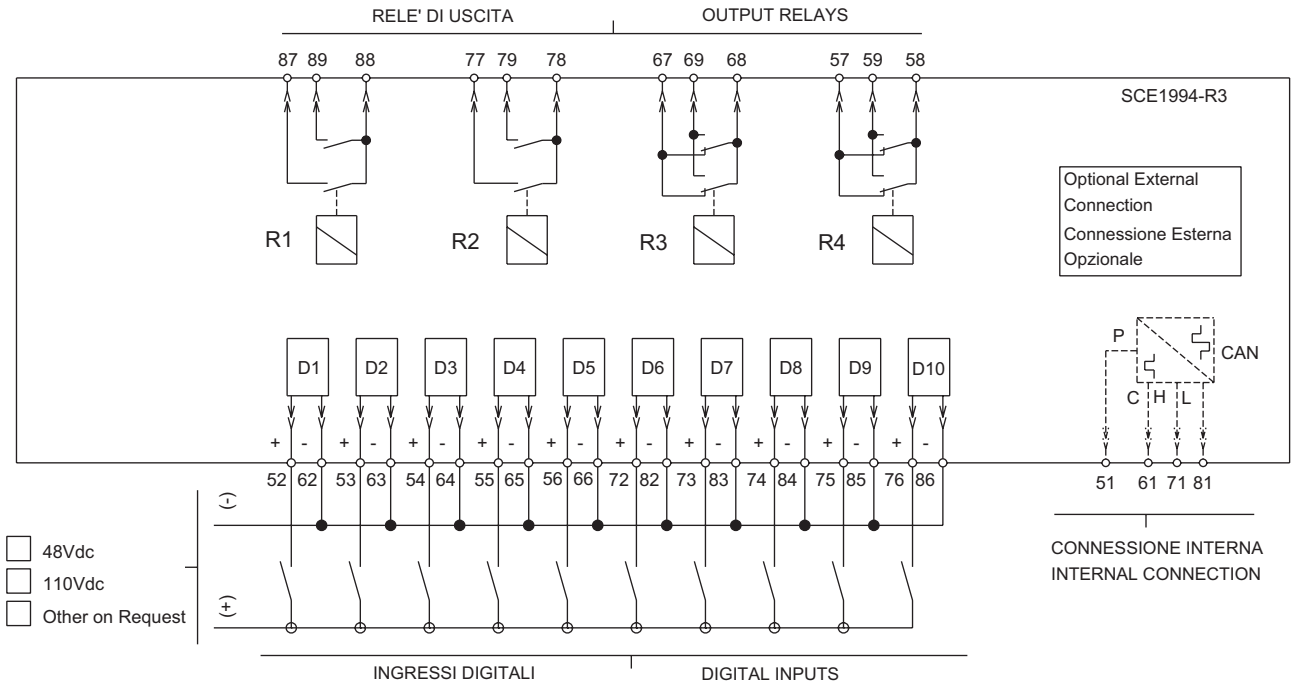
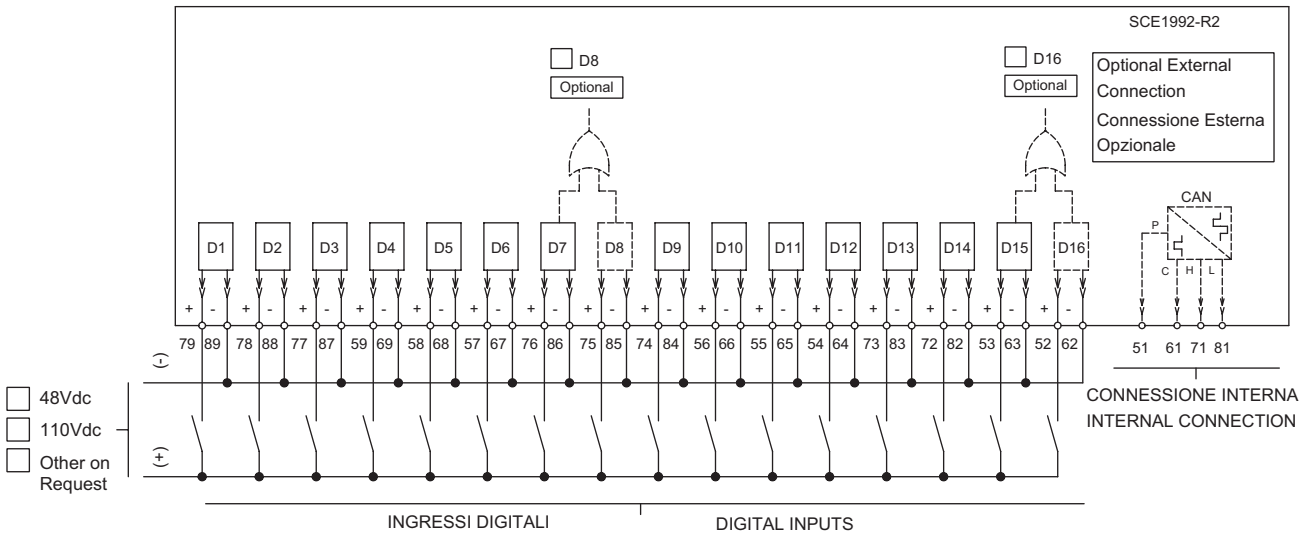


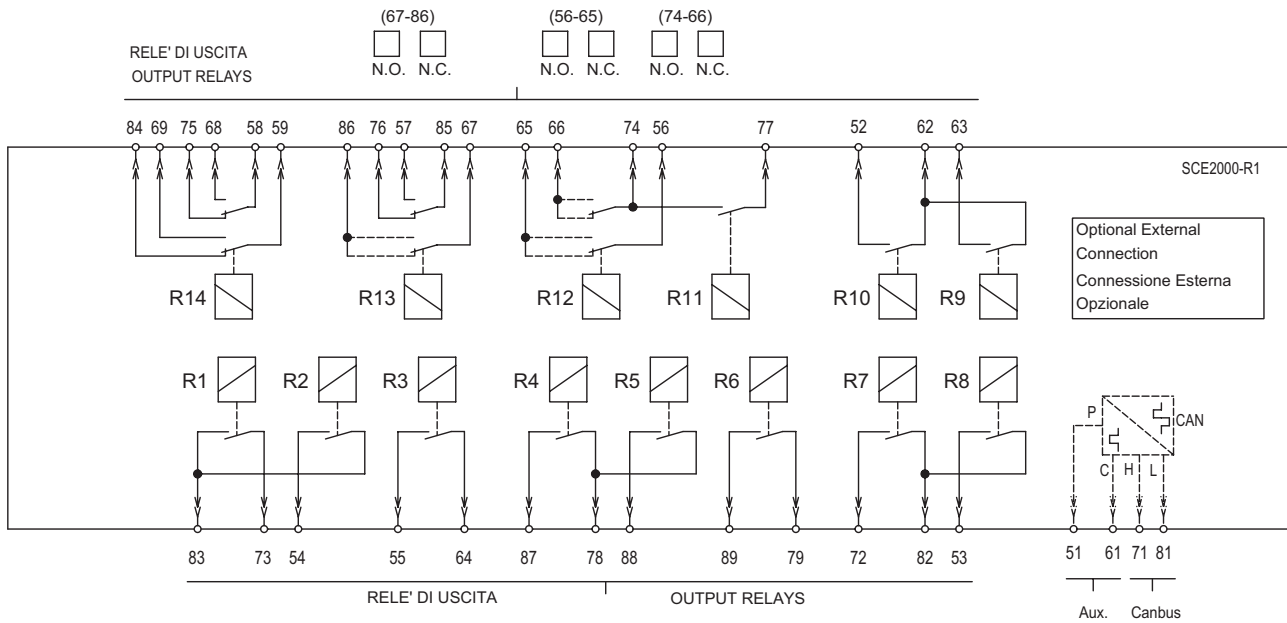
UX10-4 - Expansion Module (10 Digital Input + 4 Output Relays)



14DI - Expansion Module (14 Digital Input)



14DO - Expansion Module (14 Output Relays)



PSU - Power Supply Module

NOTE: The power supply module (PSU) is mandatory if one of the expansion Module is a 14DO with relay.



The performances and the characteristics reported in this document are not binding and can modified at any moment without notice.