

LTC 250

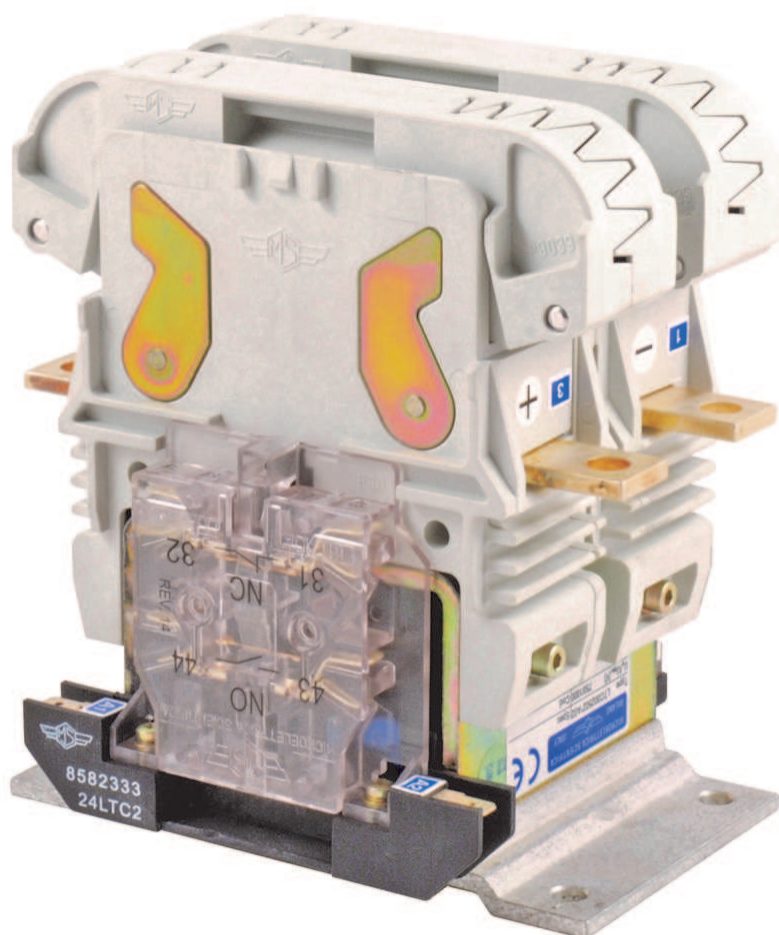
Spare parts manual 2 pole

Issued by: Aftermarket.

Catalogue Number: 09LTC2502ST

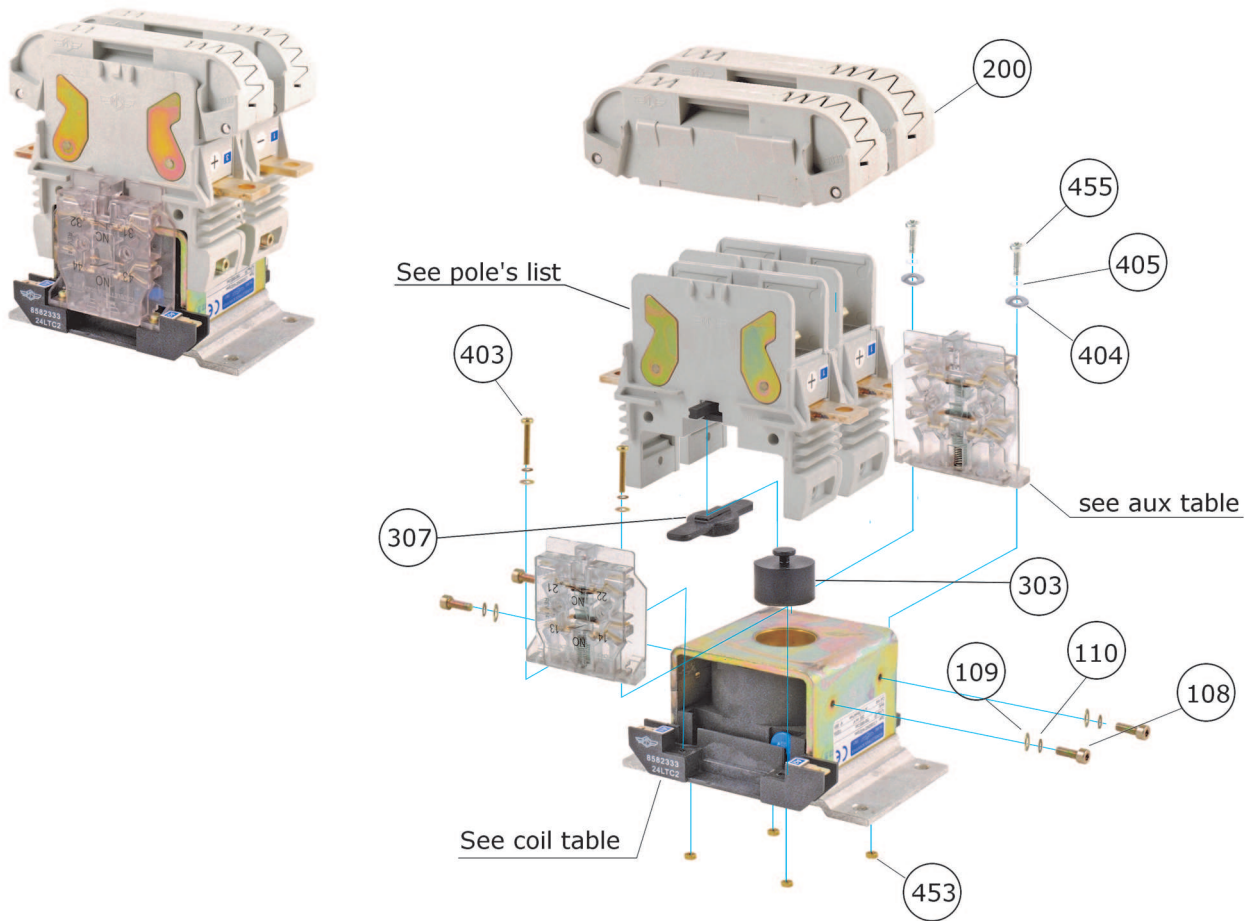
Rev.00

Date: dicembre / december '09



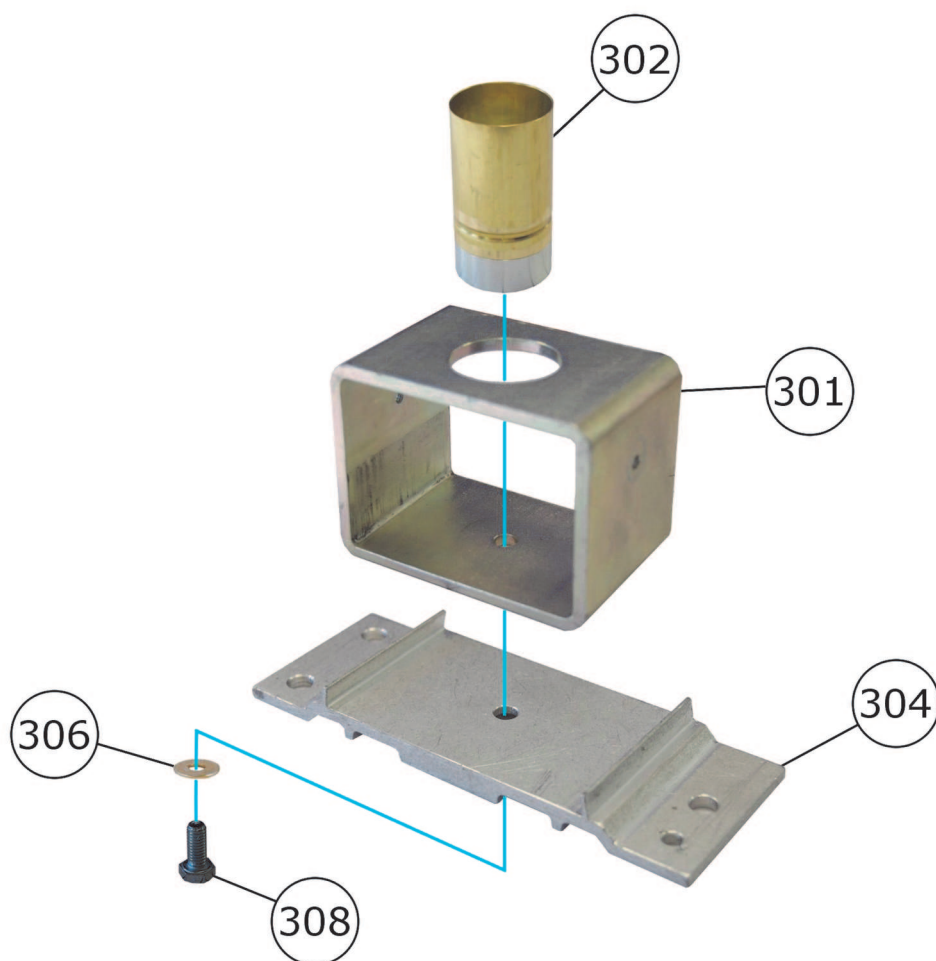
Microelettrica Scientifica

Tavola 1 - Table 1



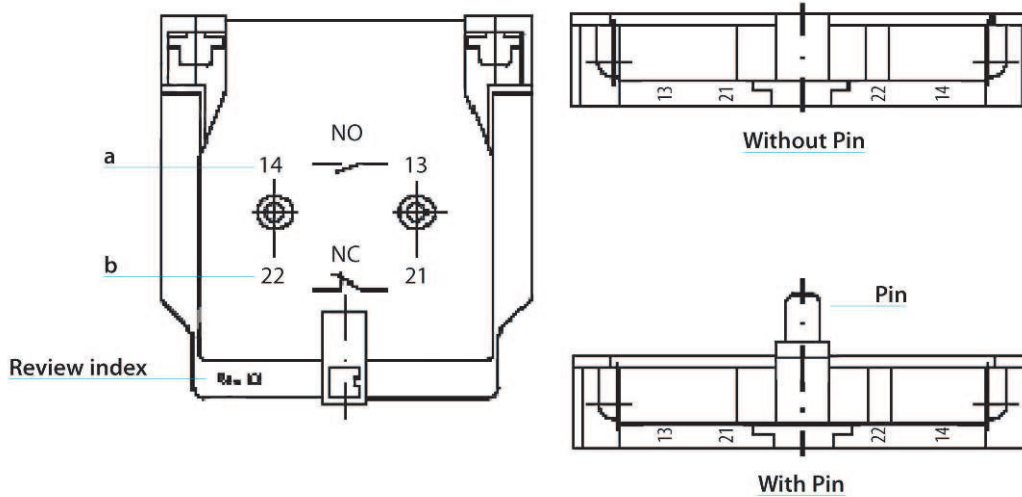
#	Descrizione - Description	PN	QTY
200	Caminetto LTC 250 - Arc chute — ceramic	864025100	1
	Caminetto LTC 250 - Arc chute — plastic	8640250	
108	Vite M4X12 - Screw M4X12	0510029	2
109	Rosetta piana D.4X9X0,8 - Flat washer D.4X9X0,8	0590005	2
110	Rosetta di sicurezza D.4 SCHNORR - Lock washer D.4 SCHNORR	0594006	2
303	Nucleo mobile - Coil's core	0219399	1
403	Vite croce M3X16 - Philip's head screw M3X16	0513032	2
405	Rosetta di sicurezza D.3 SCHNORR - Lock washer D.3 SCHNORR	0594004	4
453	Dado M3 - Nutt M3	0580030	4
454	Rosetta piana D.3X9 - Flat washer D.3X9	0590027	4
455	Vite croce M3X10 - Philip's head screw M3X10	0513029	2
307	Traversa di collegamento - Joint	1389053	1

Tavola 2 - Table 2



#	Descrizione - Description	PN	QTY
302	Nucleo - Core	0219397	1
301	Base bobina - Coil base	0119051	1
304	Base - Base	02211063	1
306	Rosetta di sicurezza - Lock washer	0594008	1
308	Vite - Screw	0500079	1

Tavola aux. - Aux. Table



1 NO + 1 NC

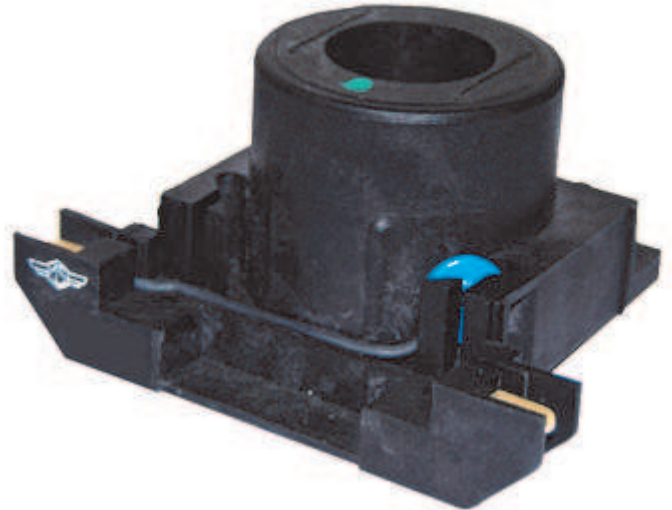
Aux. Switch with faston			Aux. Switch with screws					PIN		Mounting side on contactor	Spring	
silver	rev	gold	silver	rev	gold	a	b	yes	no		yes	no
2440427	14	2440427/D	2440427/V	14	2440427/DV	13-14	21-22	x		Left	x	
2440428	14	2440428/D	2440428/V	14	2440428/DV	43-44	31-32	x		Right	x	
2440429	14	2440429/D	2440429/V	14	2440429/DV	53-54	61-62	x		Left	x	
2440430	14	2440430/D	2440430/V	14	2440430/DV	83-84	71-72	x		Right	x	
2440431	14	2440431/D	2440431/V	14	2440431/DV	13-14	21-22		x	Left	x	
2440432	14	2440432/D	2440432/V	14	2440432/DV	43-44	31-32		x	Right	x	
2440452	14	2440452/D	2440452/V	14	2440452/DV	13-14	21-22		x	Left		x
2440453	14	2440453/D	2440453/V	14	2440453/DV	43-44	31-32		x	Right		x
2440454	14	2440454/D	2440454/V	14	2440454/DV	53-54	61-62	x		Left		x
2440455	14	2440455/D	2440455/V	14	2440455/DV	83-84	71-72	x		Right		x

2 NO

Aux. Switch with faston			Aux. Switch with screws					PIN		Mounting side on contactor	Spring	
silver	rev	gold	silver	rev	gold	a	b	yes	no		yes	no
2440436	14	2440436/D	2440436/V	14	2440436/DV	13-14	23-24	x		Left	x	
2440437	14	2440437/D	2440437/V	14	2440437/DV	43-44	33-34	x		Right	x	
2440438	14	2440438/D	2440438/V	14	2440438/DV	13-14	23-24		x	Left	x	
2440439	14	2440439/D	2440439/V	14	2440439/DV	43-44	33-34		x	Right	x	
2440450	14	2440450/D	2440450/V	14	2440450/DV	13-14	23-24		x	Left		x
2440451	14	2440451/D	2440451/V	14	2440451/DV	43-44	33-34		x	Right		x
2440457	14	2440457/D	2440457/V	14	2440457/DV	53-54	63-64	x		Left		x
2440458	14	2440458/D	2440458/V	14	2440458/DV	73-74	83-84	x		Right		x

Tavola bobine e Poli - *Coil Table and Poles*

PN	Descrizione - Description
8582333	Bobina - Coil 24 V
8582335	Bobina - Coil 36 V
8582336	Bobina - Coil 48 V
8582338	Bobina - Coil 72 V
8582339	Bobina - Coil 96 V
8582340	Bobina - Coil 110 V
8582341	Bobina - Coil 125 V
8582342	Bobina - Coil 190 V
8582343	Bobina - Coil 220 V
8582350	Bobina - Coil 60 V
8582345	Bobina - Coil 250 V



Bipolare Serie - Series Bipolar

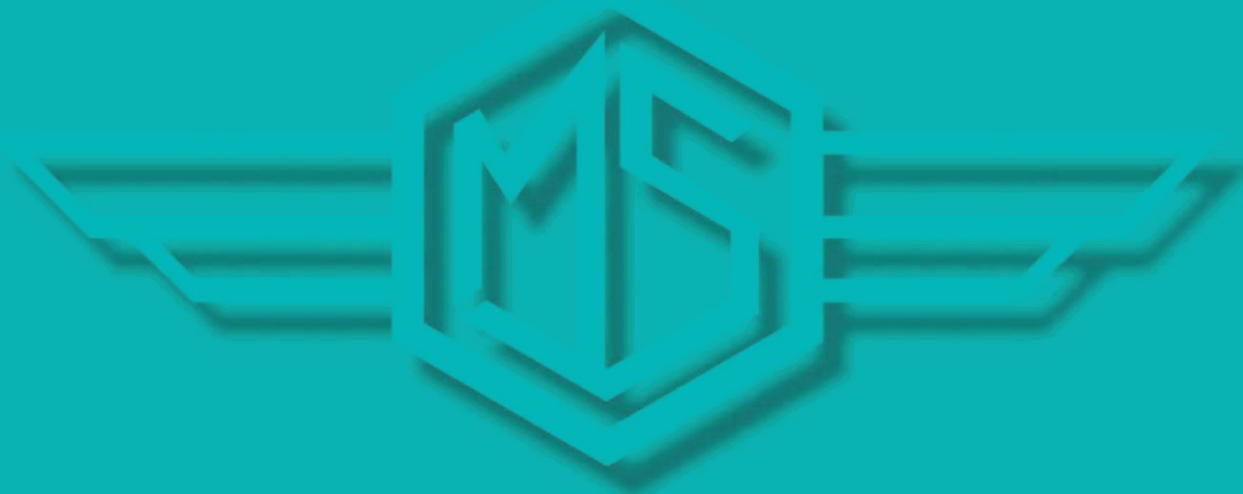
PN	Descrizione - Description
8622514	Polo - Pole (SX)
8622514	Polo - Pole (DX)



Bipolare Parallelo - Parallel Bipolar

PN	Descrizione - Description
86211100	Polo - Pole (SX)
8622514	Polo - Pole (DX)





For information on sales
network and products please visit

www.microelettrica.com



KNORR-BREMSE