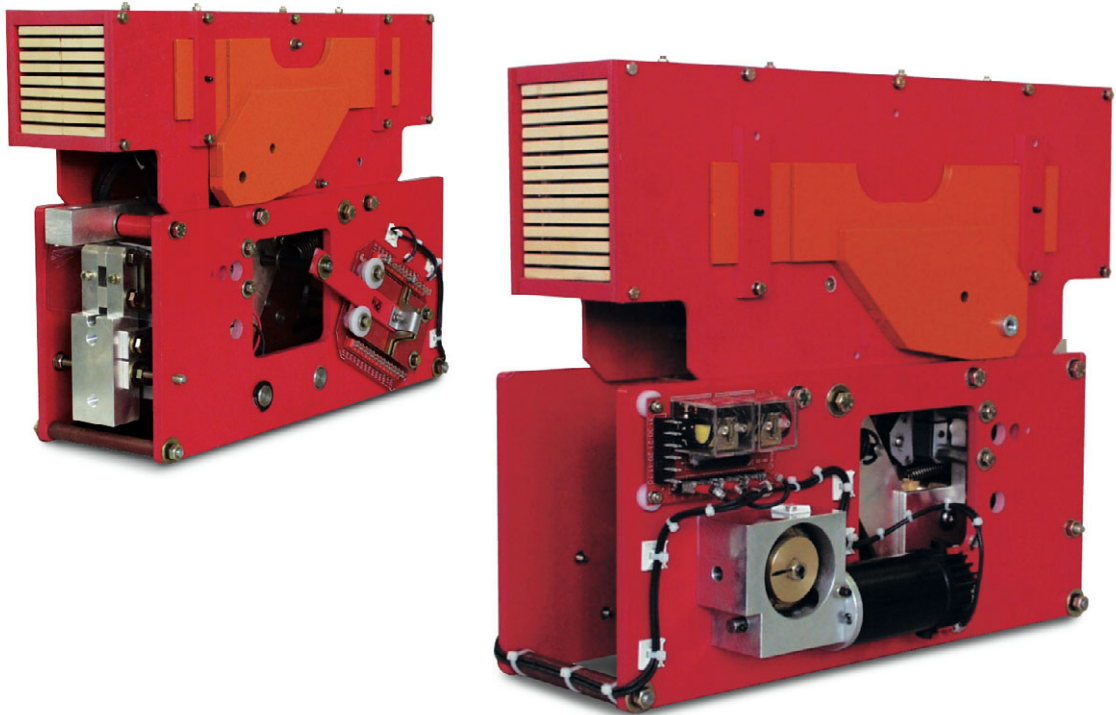


# EMC Traction

## DC High Speed Circuit Breakers



# IR2000 series

## High Speed Circuit Breaker Type IR2000 for Substation and Industry Applications

### Applications

DC Substation

Industry

The IR2000 series are single pole, magnetic blow out, trip free, air circuit breakers.

The closing mechanism is an independent motor operated type.

The IR2000 Circuit Breaker is held closed by holding coil or by permanent magnet device and is equipped with a direct acting over-current trip device which may be either unidirectional and bidirectional.

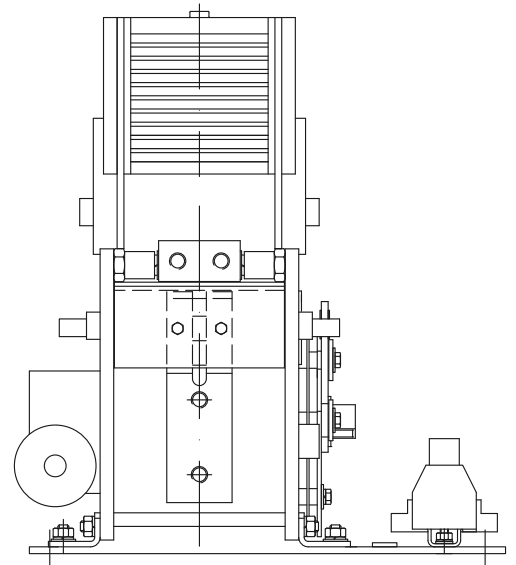
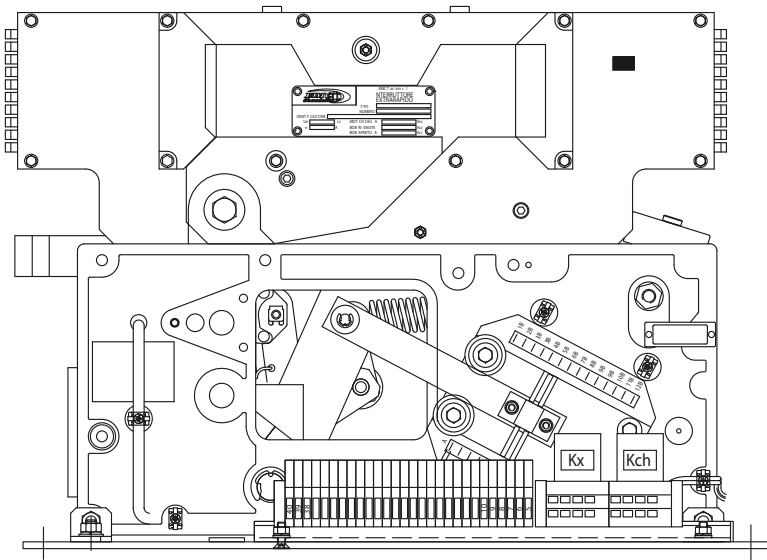
The breaker conforms to ANSI C 37-14, ANSI C 37-16 and EN 50123 Standard.



*Microelettrica Scientifica*

# EMC Traction

## DC High Speed Circuit Breakers: IR2000 series



### Technical Data

<b>Rated Voltage [V]</b>	$U_n$	750	1500
<b>Rated Current [A]</b>	$I_n$	Up to 3000	Up to 3000
<b>Short Circuit Breaking Capacity (ANSI C 37-14)</b>	$U_e$	800 [V]	
	$I_{cc}$	89 [kA]-Peak	
<b>Short Circuit Breaking Capacity (EN 50123)</b>	$I_{cc}$	82 [kA]-Steady State	
	$U_e$	900 [V]	1800 [V]
	$I_{cc}$	50 [kA]-Peak	45 [kA]-Peak
<b>Rated Voltage Auxiliary Circuit [V<sub>DC</sub>]</b>	$I_{cc}$	30 [kA]-Steady State	25 [kA]-Steady State
	$U_n$	24 ÷ 220	24 ÷ 220



**KNORR-BREMSE**



*Microelettrica Scientifica*

EMC Traction S.r.l. S.S. 11 Padana Superiore, 133 20090 Vimodrone (MI)  
Tel.: +39 02 265181 Fax: +39 02 2651824 - info@emctraction.it  
www.emctraction.it